

PROTOS ELECTROMECH PVT. LTD

KV-OHM

AN ISO 9001:2008 CERTIFIED COMPANY

SHUNTS

FEATURES:

- * Highly Accurate Manganin Resistance Shunts.
- * 5A - 4000A shunts Available.
- * Precision resistance tolerance
- * Customized Shunts also available.

SPECIFICATION:

Accuracy Class: 1.5, 1.0 or 0.5

Outputs: 25 - 300mV

Overload: Continuous - 1.2 * Rated Current

5 seconds - 5* Rated Current Up to 2kA

5 - seconds - 2 * Rated Current for 2kA - 10kA

Temperature Co - Efficient: 0.002% Degree Centigrade

Insulation:

Standards: IS 1248

CONSTRUCTION:



DIMENSION 1:

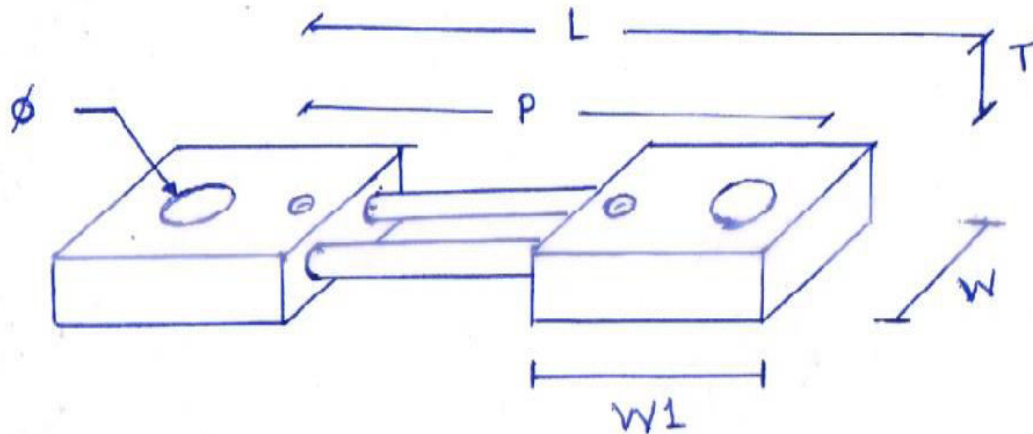


Fig A: 10A - 300A

PHYSICAL DATA:

All Dimensions in (mm)

| Rating | W | T | P | L |
|-----------|----|----|-----|-----|
| 10A/75mV | 12 | 6 | 55 | 75 |
| 20A/75mV | 12 | 6 | 55 | 75 |
| 30A/75mV | 20 | 6 | 85 | 105 |
| 40A/75mV | 20 | 6 | 85 | 105 |
| 50A/75mV | 20 | 6 | 99 | 120 |
| 75A/75mV | 20 | 10 | 99 | 120 |
| 100A/75mV | 20 | 10 | 105 | 125 |
| 150A/75mV | 20 | 10 | 105 | 125 |
| 200A/75mV | 40 | 10 | 105 | 125 |
| 300A/75mV | 30 | 10 | 105 | 125 |

DIMENSION 2:

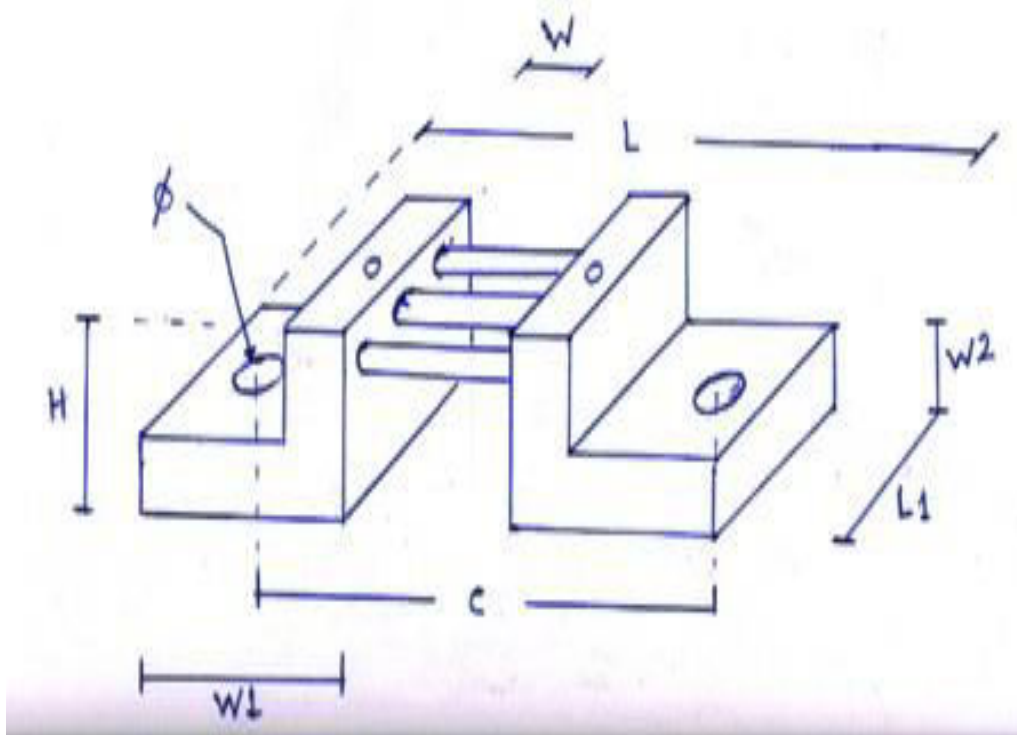


Fig B: 400A - 4000A

| Rating | C | L1 | W & W2 | W1 | H | L |
|------------|-----|-----|--------|----|----|-----|
| 400A/75mV | 105 | 30 | 10 | 50 | 25 | 140 |
| 500A/75mV | 105 | 30 | 10 | 50 | 25 | 140 |
| 600A/75mV | 105 | 30 | 10 | 50 | 25 | 140 |
| 1000A/75mV | 135 | 50 | 10 | 60 | 25 | 155 |
| 1200A/75mV | 135 | 50 | 10 | 60 | 25 | 145 |
| 1500A/75mV | 135 | 60 | 10 | 60 | 25 | 155 |
| 2000A/75mV | 125 | 70 | 10 | 60 | 25 | 168 |
| 2500A/75MV | 125 | 70 | 10 | 60 | 25 | 168 |
| 3000A/75mV | 125 | 120 | 10 | 60 | 25 | 180 |
| 4000A/75mV | 125 | 120 | 10 | 60 | 25 | 180 |